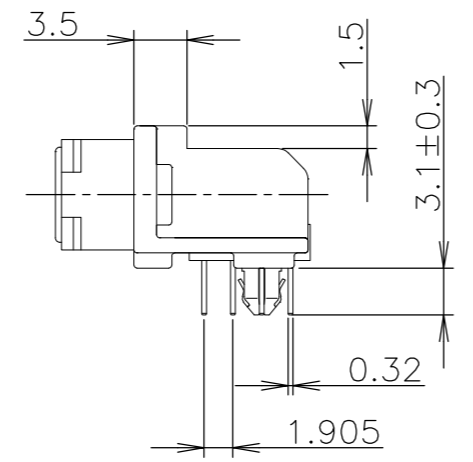
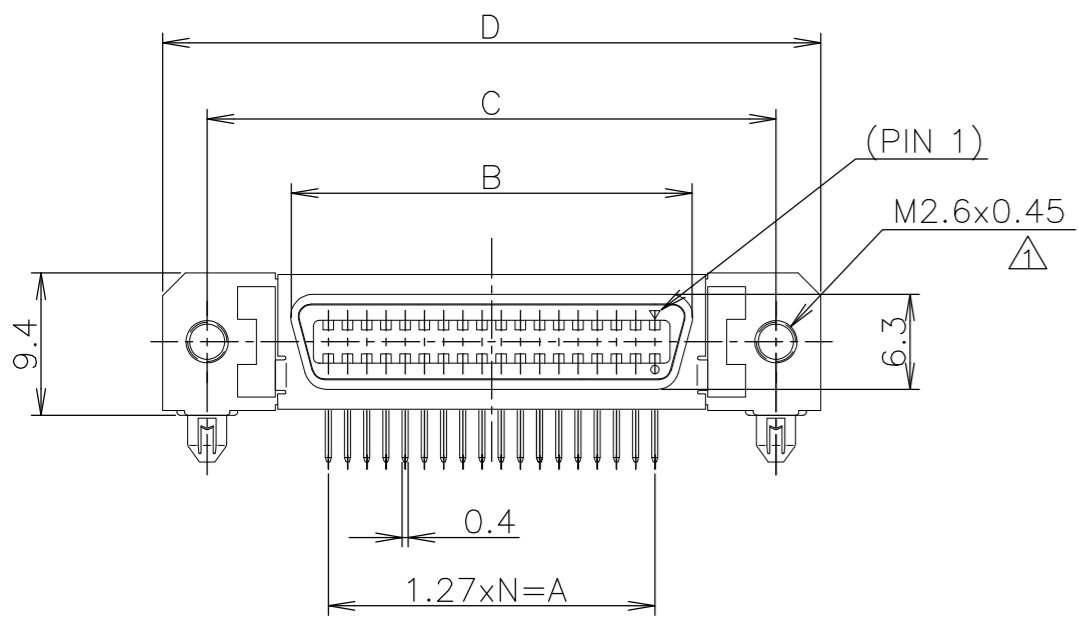
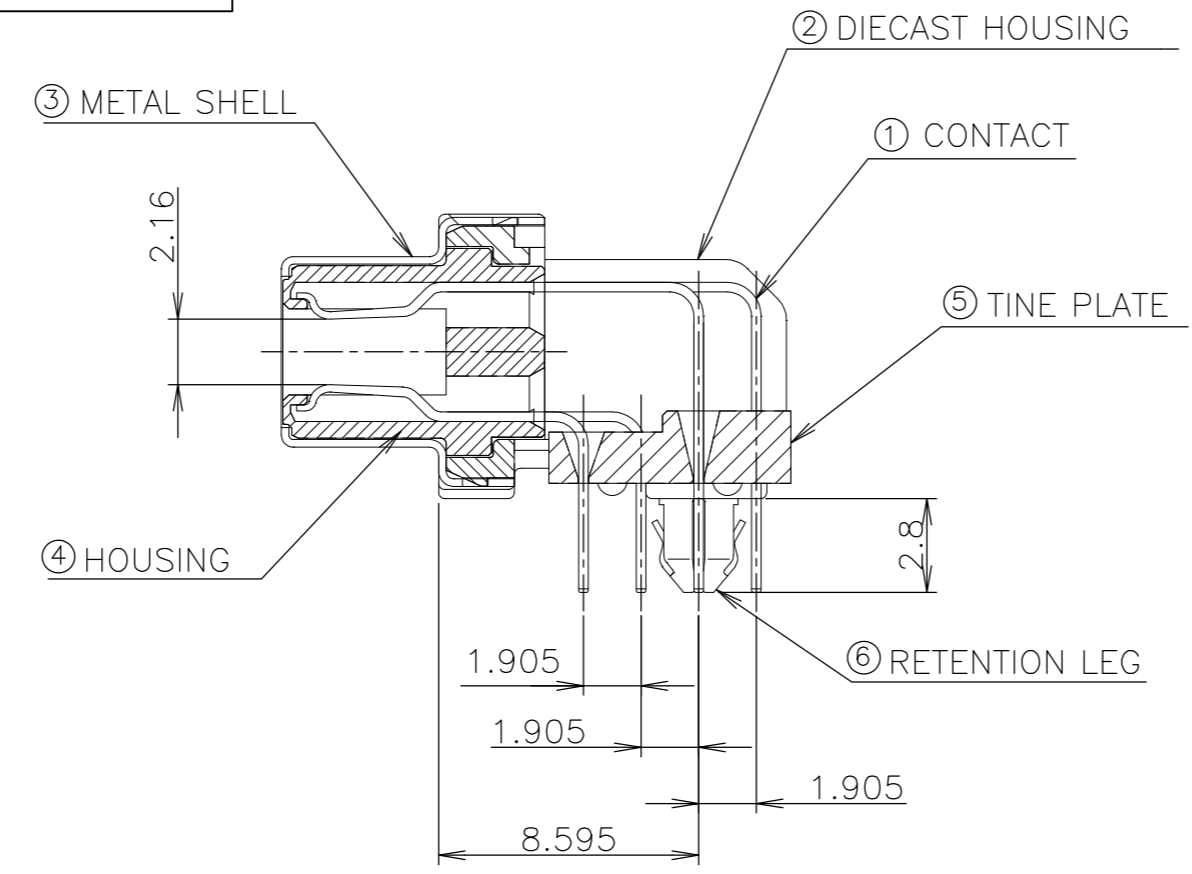
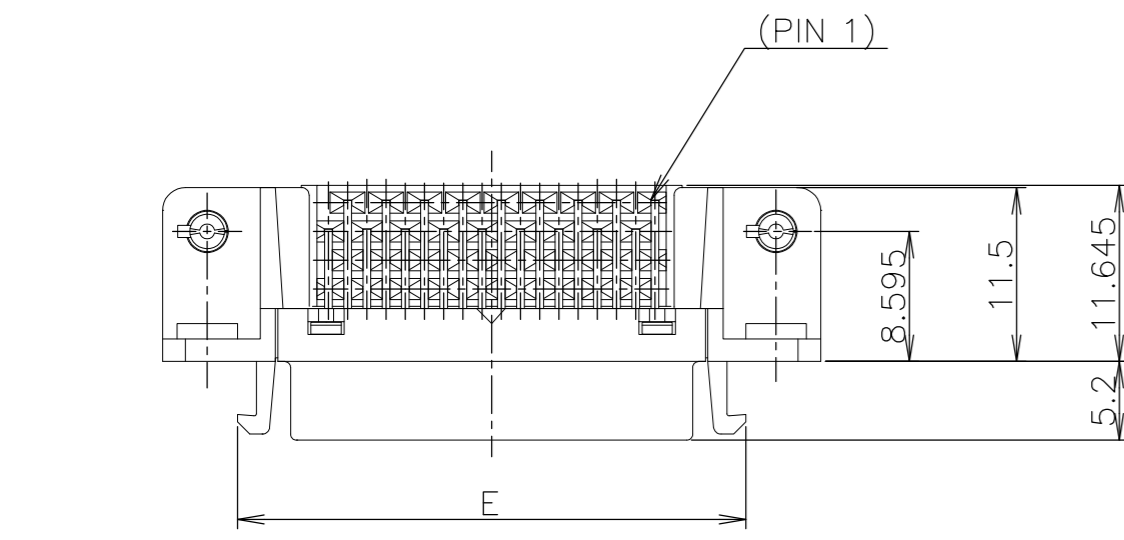


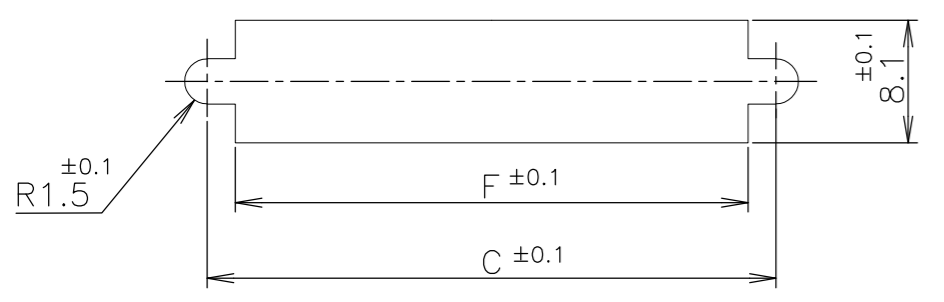
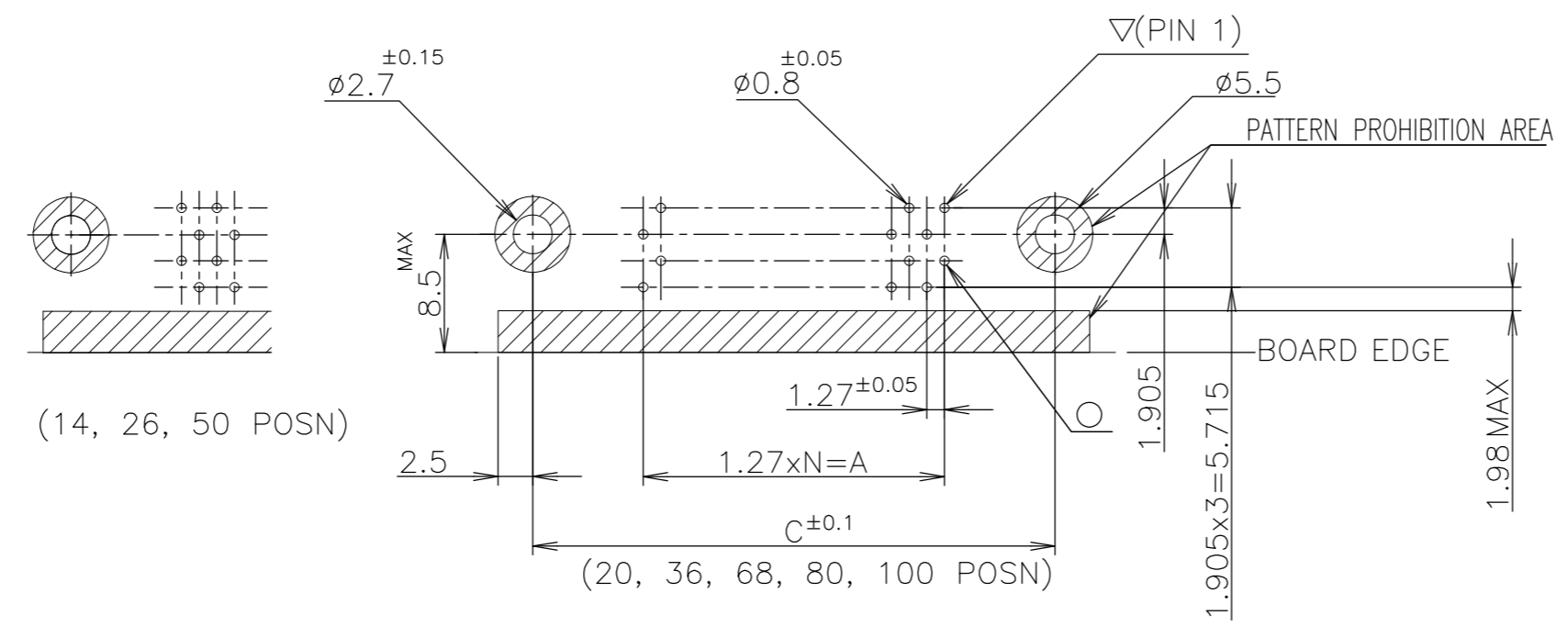
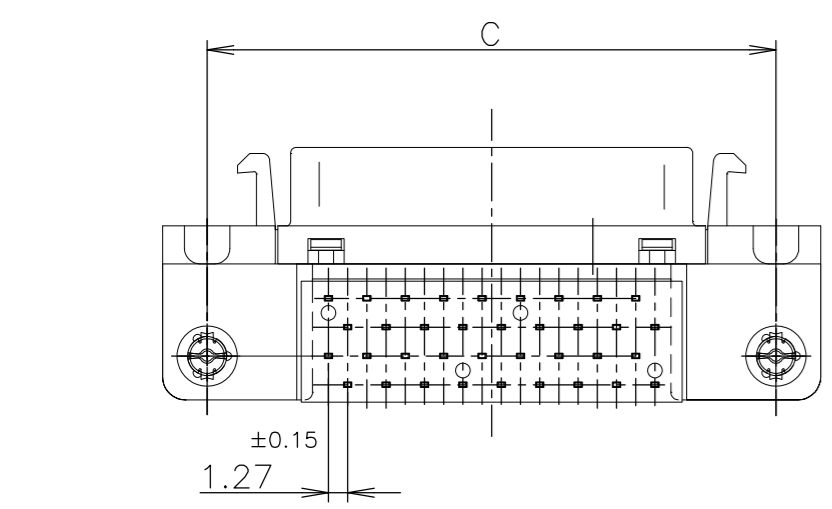
THIS DRAWING IS UNPUBLISHED. RELEASED FOR PUBLICATION SEP, 2004.
 © COPYRIGHT 2004 By - ALL RIGHTS RESERVED.

| LOC | DIST | REVISIONS | | | | | |
|-----|------|-----------|-----|---------------------------|---------|-----|------|
| | | P | LTR | DESCRIPTION | DATE | DWN | APVD |
| J | | A1 | | REVISED PER ECO-11-005033 | 25MAR11 | RK | HMR |

| ITEM | MATERIAL | FINISH |
|------|--------------------------|---|
| ① | COPPER ALLOY | NICKEL UNDER PLATE ALL OVER CONTACT AREA ; Au(0.3u, 0.76u) SOLDER TINE AREA ; TIN PLATE |
| ② | ZINC | NICKEL PLATING |
| ③ | STEEL t0.25 | NICKEL PLATE OVER COPPER UNDERPLATE |
| ④ | THERMO-PLASTIC(UL:94V-0) | COLOR; BLACK |
| ⑤ | | |
| ⑥ | COPPER ALLOY | TIN PLATE OVER NICKEL UNDERPLATE |



- NOTES:
- RECOMMENDED SCREW SIZE ; M2.6 PANHEAD SCREW(L=5)
 - RECOMMENDED P.C BOARD THICKNESS ; 1.6mm (REF)
 - CONNECTOR TO BE MATED;175677
 - INSERTION FORCE OF RETENTION LEG TO P.C.B; 21.56N(2.2kgf) MAX/CONNECTOR.
 - RETENTIVITY OF RETENTION LEG TO P.C.B; 4.9N(0.5kgf) MIN/CONNECTOR.



RECOMENDED PANEL CUTOUT
THK,2mm MAX

RECOMMENDED PC BOARD
MOUNTING DIMMENSION
(COMPONENT SIDE)

LEAD FREE

| | | | | | | | | | |
|----|------|-------|-------|-------|-------|-------|---------|----------|-------------|
| 39 | 61.9 | 61.55 | 71.45 | 65.55 | 54.53 | 49.53 | 0.76um | 80 | 3-5178238-0 |
| 49 | 74.6 | 74.25 | 84.15 | 78.25 | 67.23 | 62.23 | 0.76um | 100 | 2-5178238-9 |
| 33 | 54.2 | 53.93 | 63.83 | 57.93 | 46.91 | 41.91 | 0.76um | 68 | 2-5178238-8 |
| 24 | 42.8 | 42.50 | 52.40 | 46.50 | 35.48 | 30.48 | 0.76um | 50 | 2-5178238-7 |
| 17 | 33.9 | 33.61 | 43.51 | 37.61 | 26.59 | 21.59 | 0.76um | 36 | 2-5178238-5 |
| 12 | 27.6 | 27.26 | 37.16 | 31.26 | 20.24 | 15.24 | 0.76um | 26 | 2-5178238-4 |
| 9 | 23.8 | 23.45 | 33.35 | 27.45 | 16.43 | 11.43 | 0.76um | 20 | 2-5178238-2 |
| 6 | 19.9 | 19.64 | 29.54 | 23.64 | 12.62 | 7.62 | 0.76um | 14 | 2-5178238-1 |
| 39 | 61.9 | 61.55 | 71.45 | 65.55 | 54.53 | 49.53 | 0.3 um | 80 | 1-5178238-0 |
| 49 | 74.6 | 74.25 | 84.15 | 78.25 | 67.23 | 62.23 | 0.3 um | 100 | 5178238-9 |
| 33 | 54.2 | 53.93 | 63.83 | 57.93 | 46.91 | 41.91 | 0.3 um | 68 | 5178238-8 |
| 24 | 42.8 | 42.50 | 52.40 | 46.50 | 35.48 | 30.48 | 0.3 um | 50 | 5178238-7 |
| 17 | 33.9 | 33.61 | 43.51 | 37.61 | 26.59 | 21.59 | 0.3 um | 36 | 5178238-5 |
| 12 | 27.6 | 27.26 | 37.16 | 31.26 | 20.24 | 15.24 | 0.3 um | 26 | 5178238-4 |
| 9 | 23.8 | 23.45 | 33.35 | 27.45 | 16.43 | 11.43 | 0.3 um | 20 | 5178238-2 |
| 6 | 19.9 | 19.64 | 29.54 | 23.64 | 12.62 | 7.62 | 0.3 um | 14 | 5178238-1 |
| N | F | E | D | C | B | A | Au PLT. | POSITION | PART NO. |

THIS DRAWING IS A CONTROLLED DOCUMENT.

DWN: T.KAWAMAE 13DEC04
 CHK: I.ENOMOTO 13DEC04
 APVD: I.ENOMOTO 13DEC04

TE Connectivity

RECEPTACLE HDR ASSY (3.1mm)
 RETENTION LEG TYPE
 STANDARD CHAMP.050 SERIES (II)

108-5288
 APPLICATION SPEC

SIZE: A2 CAGE CODE: 00779 DRAWING NO: C=5178238
 SCALE: 2:1 SHEET: 1 OF 1 REV: A1

WEIGHT: CUSTOMER DRAWING